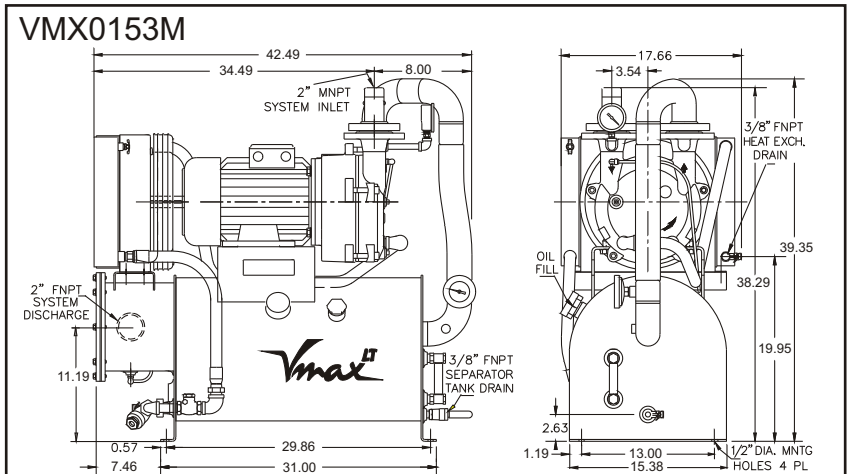
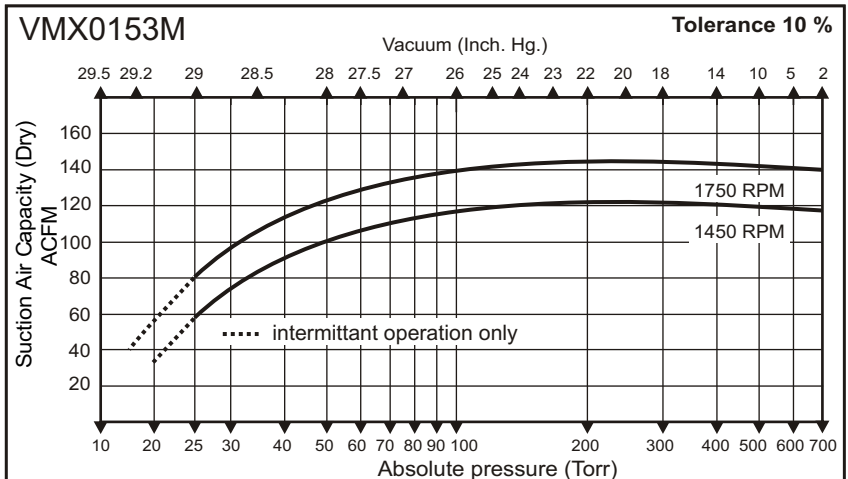
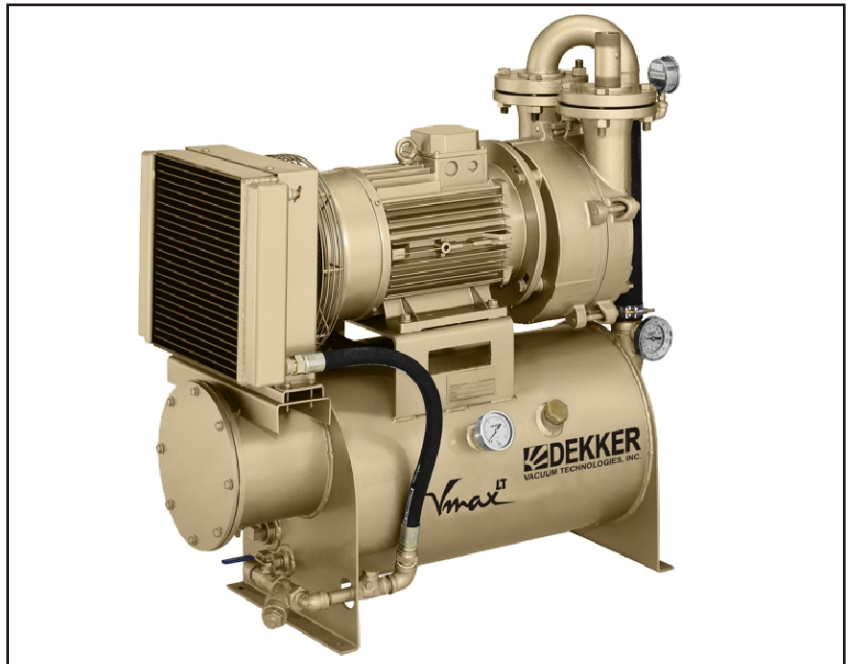


### Vmax<sup>LT</sup> oil-sealed vacuum pump system (motor-mounted) VMX0153M

Why more and more customers are switching to the Vmax<sup>LT</sup> system:

- ✓ The only system on the market with a **full 3-year warranty!**
- ✓ **Compact design** with all the Vmax advantages at the **cost of a similar capacity rotary vane pump.**
- ✓ Patented, **high-efficiency DX-5 separator** eliminates oil carry-over concerns.
- ✓ Rugged, **high-quality, industrial system**, offering years of **trouble free operation.**
- ✓ **Extended-life seal-fluid** is not used as a lubricant. Change interval is not critical, resulting in a minimum of **10,000 hours of continuous operation.**
- ✓ **UL/CSA EPACT-compliant motor-mounted design** eliminates the use of V-belts or couplings, resulting in very **low maintenance and zero downtime.**
- ✓ **Extremely low operating noise** level makes this system desirable in today's workplace.
- ✓ **Continuous operation over the full vacuum range** without overheating.
- ✓ **Carry-over** of soft solids and/or minimal amounts of liquid **does not cause damage** to the internal parts of the pump.
- ✓ **Air-cooled design is standard** with water-cooling available at no extra charge.



#### Performance Characteristics

Nominal capacity: 150CFM  
 Motor: 50Hz/5.5kW/7.5HP - 60Hz/7.5kW/10HP  
 Speed: 1450/1750RPM  
 Maximum vacuum: 29"Hg/982mbar  
 Weight (approximate): 293Kg/644Lbs  
 Maximum gas inlet temperature: 212°F/100°C  
 Maximum noise level (at 3 feet): 76dBA  
 Oil capacity (approximate): 23Ltr /6 GAL  
*Performance based on atmospheric pressure equal to 29.92"Hg/1013mbarA*

Information contained in this document is for reference only. Subject to change without notice.